

Description:

The WLV and DLV fan series have a robust fan construction specifically engineered for heavy duty applications. These fans are equipped with stainless steel impeller blades and a rigid polypropylene or powder coated steel wall frame. The electric motor has an anodized aluminium housing for excellent corrosion resistance.

Applications:

Ideal for the ventilation of: intensive animal husbandry buildings, industrial buildings, factories and workshops.

- Available ϕ range: 300-920 mm
- Capacity range: 1.400-18.300 m³/h
- Corrosion resistant materials used
- Stainless steel impeller blades
- Direct drive, TEAO (Totally Enclosed, Air Over) electric motors
- Rigid wall frames: polypropylene or powder coated steel
- RPM control by transformer, frequency drive or electronic control
- IP55
- Insulation class "F"
- Single phase models standard fitted with thermal protection
- Energy efficient
- Stainless steel fasteners (nuts and bolts)
- Aluminium motor housing
- All WLV and DLV fans come with 3 year warranty
- Operating temperature range -20°C to +40°C

Technical data

The technical data is valid for fans supplied as panel fan or as tube fan. Full overview of air performance on page 11, performance charts.

ϕ (mm)	Type	EMV Code	***			Specific power @0Pa			fan performance in m ³ /h			
			$I_{nom}(A)$	$I_{max}(A)$	P_n (Watt)	Control-ability*	P_{in}^{**}	0 Pa	20 Pa	50 Pa	100 Pa	
300	2530	WNV2 / 300	1,4	1,7	270	87	E / T / FC	180	3.100	3.000	2.850	2.650
350	2535	WNV2 / 350	2,2	2,6	415	92,3	E / T / FC	220	4.500	4.350	4.200	3.900
300	4530	WNV4 / 300	0,45	0,6	95	47,5	E / T / FC	50	2.000	1.800	1.400	2.400
350	4535	WNV4 / 350	0,6	0,8	120	37,5	E / T / FC	50	3.200	2.900	2.400	4.000
400	4540	WNV4 / 400	1,1	1,3	220	46,8	E / T / FC	70	4.700	4.400	3.800	5.800
450	4545	WNV4 / 450	1,3	1,6	280	41,8	E / T / FC	70	6.700	6.250	5.600	8.200
500	4550	WNV4 / 500	1,9	2,6	385	46,4	E / T / FC	100	8.300	7.850	7.150	9.500
500	4550T	WNV4 / 500-T	4,0	5,8	880	80,5	E / T / FC	90	10.800	10.300	9.600	12.600
560	4556	WNV4 / 560	2,8	3,9	530	50,5	E / T / FC	100	10.500	9.950	9.200	12.000
300	6530	WNV6 / 300	0,22	0,26	50	38,4	E / T / FC	25	1.400	1.100	1.000	1.500
350	6535	WNV6 / 350	0,27	0,32	65	30,5	E / T / FC	30	2.200	1.750	1.750	2.400
400	6540	WNV6 / 400	0,38	0,46	80	25,4	E / T / FC	55	3.150	2.650	2.650	3.500
450	6545	WNV6 / 450	0,53	0,75	120	28,3	E / T / FC	35	4.300	3.750	3.550	4.500
500	6550	WNV6 / 500	0,71	0,85	140	28,4	E / T / FC	40	5.300	4.550	4.100	5.200
630	6563	WNV6 / 630	2,8	3,4	530	44,2	E / T / FC	70	12.000	11.100	9.550	12.400
710	6571	WNV6 / 710	2,7	3,3	490	35,5	E / T / FC	70	13.700	12.400	10.400	13.000
300	4130	DNV4 / 300	0,2	0,2	85	40,5	T / FC	50	2.050	1.900	1.500	2.400
350	4135	DNV4 / 350	0,3	0,4	140	43,8	T / FC	50	3.200	2.900	2.400	3.500
400	4140	DNV4 / 400	0,6	0,7	220	45,5	T / FC	70	4.750	4.400	3.850	5.200
450	4145	DNV4 / 450	0,7	0,8	300	47,3	T / FC	70	6.250	5.950	5.300	6.800
500	4150	DNV4 / 500	1,1	1,2	405	46,6	T / FC	100	8.650	8.200	7.550	9.500
500	4150T	DNV4 / 500-T	3,7	1,9	850	77,3	T / FC	100	11.000	10.500	9.850	12.600
560	4156	DNV4 / 560	1,4	1,4	670	56,8	T / FC	100	11.800	11.300	10.600	13.000
630	4163	DNV4 / 630	1,7	1,9	735	51,1	FC	150	14.400	13.800	12.900	16.200
630	6163	DNV6 / 630	1,3	1,4	475	40,4	T / FC	70	11.700	10.800	9.300	12.000
710	6171	DNV6 / 710	1,3	1,4	465	33,7	T / FC	70	13.800	12.900	10.600	14.000
710	6171T	DNV6 / 710-T	1,8	2,0	750	46,6	T / FC	70	16.100	14.800	12.600	15.400
800	6180	DNV6 / 800	1,8	2,1	820	44,7	T / FC	80	18.400	17.000	14.600	17.050
920	6192	DNV6 / 915	2,4	2,6	620	33,8	T / FC	60	18.300	16.200	12.800	15.200

* Fan controllability: E = Electronic/Triac T = Transformer-FC = Frequency Drive
 ** recommended maximum operating pressure
 *** for three phase models, Y (star connected) currents are listed

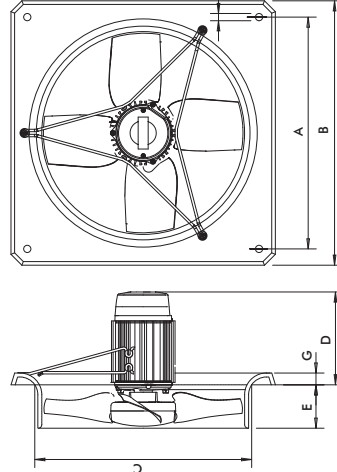
Fan accessories - see page 10



3 YEAR WARRANTY



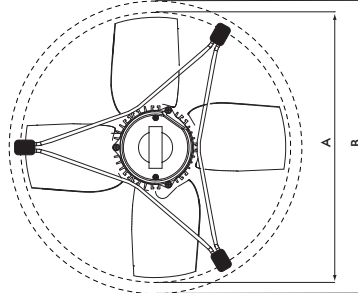
Panel fan dimensions



Fan ϕ (cm)	A	B	C	D max	E	F	G	Frame **
30	350	395	330	186	106	9,5	20	PP
35	400	445	375	186	106	9,5	20	PP
40	444	495	430	186	106	9,5	20	PP
45	505	575	480	176	116	13	20	PP
50	565	635	535	176	116	13	20	PP
50T	565	635	527	213	133	13	10	M
56	675	760	590	230	106	11	30	PP
63	790	835	660	220	120	11	30	PP
71	830	885	740	230	140	14,5	30	PP
80	910	970	850	212	190	14,5	20	M
92	1010	1070	973	215	188	14,5	22	M

* Frame material: M = metal / PP = polypropylene
 The frames mentioned are the frames in which the standard panel fans are supplied. Certain models can be supplied with different frames upon request.

Tube fan dimensions



Fan model	Minimum tube inner diameter (mm)	A (mm)	B (mm)	Maximum tube inner diameter
X/350	350	370	370	
X/400	400	400	420	
X/450	450	450	470	
X/500	500	500	520	
X/560	560	560	580	
X/630	630	630	650	
X/710	710	710	730	
X/800	800	800	820	
X/920	915	915	935	